

BPLA UTILITY PUMP (12-VOLT DC)

OPERATION



CAUTION: This pump is designed for intermittent use only (15 minutes on – 45 minutes off) with liquid no hotter than 160°F.

CAUTION: The pump is cooled by pumping fluid. Do not let the pump operate dry; this can damage the seal and cause motor failure.

NOTE: This pump is designed to operate submerged or in-line. It can be placed in any position below the water level when primed.

- For proper operation, connect the pump to a steady 12-volt DC power source or a 12-volt battery in good condition. A low-voltage power source may cause critical overheating and premature failures. To avoid this, maintain proper voltage and use recommended wire size during installation (Table 1).
- Use the hooded inlet plate for submersible operation. For in-line operation, remove the inlet plate mounting screws and replace the hooded inlet plate with the threaded inlet plate. Make certain that the inlet O-ring seal is installed in the groove on the inlet plate before reassembly. Carefully reinsert the mounting screws, taking care not to cut new threads or strip the screw holes.
- When connected in-line, slope the hose or pipe connection upward from the pump inlet to the water supply. A flooded suction is necessary for pump to operate.
- If the surface is dirt or sand, place the pump on a flat object (such as a piece of wood or metal) to prevent it from being clogged.
- Support the weight of the pump adequately. DO NOT support the pump by the intake or discharge connections alone.
- Do not restrict the intake side of the pump. This can damage the seal and starve the pump. To reduce the flow, place a valve on the discharge side of the pump or, if flexible vinyl tubing is used, a clamp on the tubing.
- If the pump will be idle for an extended period, clean it according to the MAINTENANCE section. Do not let the pump freeze in the wintertime. This can cause cracking or distortion that will damage the pump.

EN INTRODUCTION

This instruction sheet provides you with the information required to safely own and operate your product. Retain these instructions for future reference.

The product you have purchased is of the highest quality workmanship and material, and has been engineered to give you long and reliable service. These products are carefully tested, inspected, and packaged to ensure safe delivery and operation. Please examine your item(s) carefully to ensure that no damage occurred during shipment. If damage has occurred, please contact the place of purchase. They will assist you in replacement or repair, if required.

READ THESE INSTRUCTIONS CAREFULLY BEFORE ATTEMPTING TO INSTALL, OPERATE, OR SERVICE YOUR PRODUCT. KNOW THE PRODUCT'S APPLICATION, LIMITATIONS, AND POTENTIAL HAZARDS. PROTECT YOURSELF AND OTHERS BY OBSERVING ALL SAFETY INFORMATION. FAILURE TO COMPLY WITH THESE INSTRUCTIONS COULD RESULT IN PERSONAL INJURY AND/OR PROPERTY DAMAGE!

SAFETY GUIDELINES



WARNING: When attaching pump leads to battery terminals, be sure that the area is adequately ventilated to prevent an explosion or fire from explosive or flammable vapors that may be present. Consult the battery manufacturer for additional safety information.

Disconnect the pump from the power source before servicing or removing any component.

Do not use to pump flammable or explosive fluids such as gasoline, fuel oil, kerosene, etc. Do not use in explosive atmospheres. Pump should only be used with liquids compatible with pump component materials.

Do not handle pump with wet hands or when standing on a wet or damp surface or in water.

Batteries emit explosive hydrogen gas. Avoid smoking, sparks, or open flame anywhere near the battery.

An explosion from the battery can cause blindness. Shield your eyes when working near the battery.

Batteries contain sulfuric acid. In case of contact with eyes, skin, or clothing, flush immediately with large amounts of water and get medical attention.

Do not add acid or electrolyte to the battery.

Keep out of reach of children.

In any installation where property damage and/or personal injury might result from an inoperative or leaking pump due to power outages, discharge line blockage, or any other reason, use a backup system(s) and/or alarm.

Support the pump and its piping when assembling and when installed. Failure to do so may cause piping to break, pump to fall, motor bearing failures, etc.

ELECTRICAL CONNECTIONS



- Check the pump label for proper voltage required. Do not connect to voltage other than that shown.
- For proper motor protection, install a 2.0 amp fuse in the circuit.
- When using a battery as the power source, attach the red positive (+) lead wire to the positive (+) battery terminal, then attach the black negative (-) lead wire to the ground (-) battery terminal. When disconnecting the pump, first disconnect the black negative (-) lead wire from the ground (-) battery terminal, then disconnect the red positive (+) lead wire from the positive (+) battery terminal.
- Refer to Table 1 for recommended minimum lead wire sizes.

DISTANCE FROM POWER SOURCE TO PUMP	RECOMMENDED MINIMUM WIRE SIZE
1 – 15 feet	18 AWG
15 – 50 feet	16 AWG

Table 1

MAINTENANCE



WARNING: DISCONNECT THE PUMP FROM THE POWER SOURCE BEFORE SERVICING OR REMOVING ANY COMPONENT.

CAUTION: The pump is permanently lubricated. Oiling is not required. DO NOT open the sealed portion of the pump or remove the housing screws.

NOTE: The power leads on this pump cannot be replaced; if they become damaged the entire pump must be replaced.

Clean the pump periodically to prolong its life and efficiency:

- Disconnect the black negative (-) lead wire, then disconnect the red positive (+) lead wire.
- Check the lead wires to ensure that they are in good condition with no nicks or cuts.
- Remove the volute mounting screws, then remove the volute from the pump. DO NOT remove any other screws.
- Lightly clean any corrosion or debris that may clog the impeller. Use a brush and penetrating oil and lightly scrape to remove encrusted material.
- Turn the impeller by hand to make sure it turns freely.
- Place the pump on a solid surface, ensuring that the pump and impeller are not touching anything. Connect the pump to 12VDC power source for 10 seconds. If the impeller rotates, disconnect the pump from the power source and install the parts in reverse order. If the impeller does not rotate or the pump does not operate properly, return the pump to Franklin Electric or an authorized service center. DO NOT attempt repairs yourself.

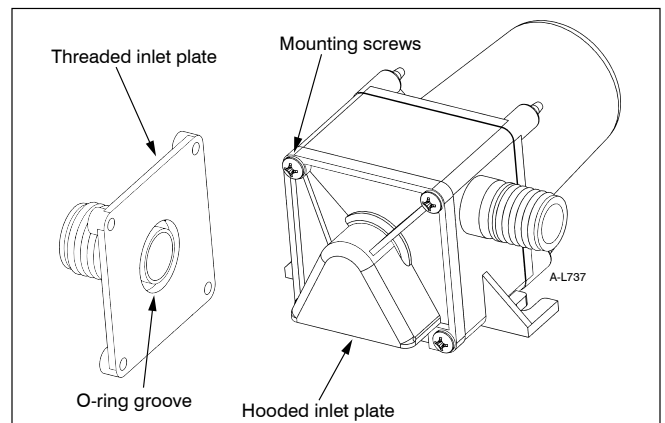


Figure 1



TROUBLESHOOTING

PROBLEM	PROBABLE CAUSES	CORRECTIVE ACTION
Pump fails to run.	1. No electricity or low voltage. 2. Impeller clogged. 3. Motor has open circuit.	1. Be sure correct voltage is available. 2. Clean impeller. 3. Replace pump.
Pump runs but no fluid flows.	1. Discharge height too great. 2. Inlet screen clogged. 3. Discharge valve closed. 4. Air trapped in pump. 5. No water in reservoir. 6. Pump inlet located above liquid level.	1. Lower the height. 2. Clean screen. 3. Open the valve. 4. Purge to eliminate air. 5. Refill. 6. Pump inlet must be below liquid level (flooded).
Flow rate is low.	1. Low voltage. 2. Impeller clogged. 3. Inlet or discharge plumbing restricted. 4. Discharge plumbing undersized. 5. Discharge height too great. 6. Polarity is reversed.	1. Be sure correct voltage is available. 2. Clean impeller. 3. Clean plumbing. 4. Replace with larger plumbing. 5. Lower the height. 6. Reverse polarity.
Pump starts and stops pumping.	1. Impeller or inlet screen clogged. 2. Defect in motor. 3. Incorrect voltage or frequency.	1. Clean impeller and screen. 2. Replace pump. 3. Be sure correct voltage and frequency is supplied to pump.

LIMITED WARRANTY

HIS WARRANTY SETS FORTH THE COMPANY'S SOLE OBLIGATION AND PURCHASER'S EXCLUSIVE REMEDY FOR DEFECTIVE PRODUCT.

Franklin Electric Company, Inc. and its subsidiaries (hereafter "the Company") warrants that the products accompanied by this warranty are free from defects in materials or workmanship of the Company that exist at the time of sale by the Company and which occur or exist within the applicable warranty period. Any distributor, sub-distributor, recipient, end-user and/or consumer agrees that by accepting the receipt of the products, the distributor, sub-distributor, recipient, end user and/or consumer expressly agrees to be bound by the terms of the warranty set forth herein.

I. Applicable Warranty Period

The products accompanied by this warranty shall be covered by this Limited Warranty for a period of 12 months from the date of original purchase by the consumer. In the absence of suitable proof of purchase date, the warranty period of this product will begin to run on the product's date of manufacture.

II. Instructions Applicable to this Limited Warranty

- Consumers wishing to submit a warranty claim must return the products accompanied by this warranty to the point of purchase for warranty consideration.
- Upon discovery of a defect, any personal injury, property damage or any other type of resulting damage, if applicable, shall be reasonably mitigated to the extent possible.
- At its discretion, the Company may inspect products either at its facilities, or in the field, and after determination of a warranty claim, will, at its option, repair or replace defective parts. Repaired or replaced parts will be returned freight prepaid by the Company.
- This warranty policy does not cover any labor or shipping charges. The Company shall not be liable for any costs or charges attributable to any product testing, maintenance, installation, repair or removal, or for any tools, supplies, or equipment needed to install, repair, or remove any product.

III. Limitations Applicable to this Limited Warranty

THIS WARRANTY DOES NOT APPLY TO ANY OF THE FOLLOWING:

- Brushes, impeller or cam on models with brush-type motors and/or flex-vane impellers.
- Any product that is not installed, applied, maintained and used in accordance with the Company's published instructions, applicable codes, applicable ordinances and/or with generally accepted industry standards.
- Any product that has been subject to misuse, misapplication, neglect, alteration, accident, abuse, tampering, acts of God (including lightning), acts of terrorism, acts of war, fire, improper storage or installation, improper use, improper maintenance or repair, damage or casualty, or to an excess of the recommended maximums as set forth in the product instructions.
- Any product that is operated with any accessory, equipment, component, or part not specifically approved by the Company.
- Use of replacement parts not sold by the Company, the unauthorized addition of non-Company products to other Company products, and the unauthorized alteration of Company products.
- Products damaged by normal wear and tear, normal maintenance services and the parts used in connection with such service, or any other conditions beyond the control of the Company.
- Any product that has been used for purposes other than those for which it was designed and manufactured.
- Any use of the product where installation instructions and/or instructions for use were not followed.

- Products connected to voltage other than indicated on nameplate.
- Products where the pump was exposed to any of the following: sand, gravel, cement, grease, plaster, mud, tar, hydrocarbons, hydrocarbon derivatives (oil, gasoline, solvents, etc.) or other abrasive or corrosive substances.
- Products in which the pump has been used to pump or circulate anything other than fresh water at room temperature.
- Products in which the pump was allowed to operate dry (fluid supply cut off).
- Products in which the sealed motor housing has been opened or the product has been otherwise dismantled by customer.
- Products in which the cord has been cut to a length of less than three feet.

The Company reserves the right at any time, and from time to time, to make changes in the design and/or improvements upon its product without thereby imposing any obligation upon itself to make corresponding changes or improvements in or upon its products already manufactured and/or previously sold. The Company further reserves the right to substitute parts or components of substantially equal quality in any warranty service required by operation of this Limited Warranty.

This written Limited Warranty is the entire warranty authorized and offered by the Company. There are no warranties or representations beyond those expressed in this document.

THIS WARRANTY AND REMEDY IS IN LIEU OF ALL OTHER WARRANTIES AND REMEDIES INCLUDING WITHOUT LIMITATION, WARRANTIES OF MERCHANTABILITY AND/OR FITNESS FOR A PARTICULAR PURPOSE, WHICH ARE HEREBY SPECIFICALLY DISCLAIMED AND EXPRESSLY EXCLUDED. CORRECTION OF NON-CONFORMITIES, IN THE MANNER AND FOR THE PERIOD OF TIME AS SET FORTH ABOVE, SHALL CONSTITUTE FULFILLMENT OF ALL LIABILITY OF THE COMPANY TO THE PURCHASER WHETHER BASED ON CONTRACT, NEGLIGENCE, OR OTHERWISE.

THE COMPANY SHALL NOT BE LIABLE FOR INCIDENTAL, CONSEQUENTIAL OR SPECIAL DAMAGES SUCH AS, BUT NOT LIMITED TO:

DAMAGE TO OR LOSS OF OTHER PROPERTY OR EQUIPMENT, LOSS OF USE OF EQUIPMENT, FACILITIES OR SERVICE, LOSS OF PROFIT OR SALES, COST OF PURCHASES OR REPLACEMENT GOODS, CLAIMS OF CUSTOMERS OF THE PURCHASER, FAILURE TO WARN AND/OR INSTRUCT, LOSS OF OTHER PRODUCTS, OR COSTS OF ENVIRONMENTAL REMEDIATION, OR DIMINUTION IN PROPERTY VALUE. THE REMEDIES OF THE PURCHASER SET FORTH HEREIN ARE EXCLUSIVE, AND THE LIABILITY OF THE COMPANY SHALL NOT, EXCEPT AS EXPRESSLY PROVIDED HEREIN, EXCEED THE PRICE OF THE PRODUCTS UPON WHICH SUCH LIABILITY IS BASED. DAMAGES AS SET FORTH IN THIS PARAGRAPH SHALL BE REASONABLY MITIGATED TO THE EXTENT POSSIBLE. THIS PARAGRAPH SHALL ALSO APPLY TO ALL DAMAGES RESULTING FROM CONDITIONS SET FORTH IN SECTION III ABOVE AND (1) DEFECTS IN PRODUCT PROTOTYPES OR REPLACEMENT PART PROTOTYPES THAT HAVE NOT BEEN PUT INTO PRODUCTION, CIRCULATED AND SOLD BY THE COMPANY, AND/OR (2) DEFECTS THAT WERE NOT FOUND AT THE TIME OF SALE DUE TO SCIENTIFIC AND TECHNOLOGICAL REASONS.

This Limited Warranty gives you specific legal rights. You may have other rights, which vary according to the applicable laws and regulations. Where any term of this warranty is prohibited by such laws, it shall be null and void, but the remainder of this warranty shall remain in full force and effect.

DISCLAIMER: Any oral statements about the product made by the seller, the Company, the representatives or any other parties, do not constitute warranties, shall not be relied upon by the user, and are not part of the contract for sale. Seller's and the Company's only obligation, and buyer's only remedy, shall be the replacement and/or repair by the Company of the product as described above. Before using, the user shall determine the suitability of the product for his intended use, and user assumes all risk and liability whatsoever in connection therewith.

For technical assistance, please contact..... 800.701.7894

CustomerService@lgpc.com
www.franklinwater.com

